

Automotive Blade-type Fuses & Holders

ATC Fuse



(Actual Size)

Available
With
Indication

Specifications

Description: Fast-acting blade fuse.

Construction: Colored plastic housing with zinc fuse element.

Ratings:

Volts — 32Vdc
Amps — 1-40A
IR — 1000A

Agency Information: UL Recognized, (3-40A) (Guide JFHR2, File E56412), SAE Standard J1284.

Features and Benefits

- Color coded plastic housing for easy identification of fuse ratings

Typical Applications

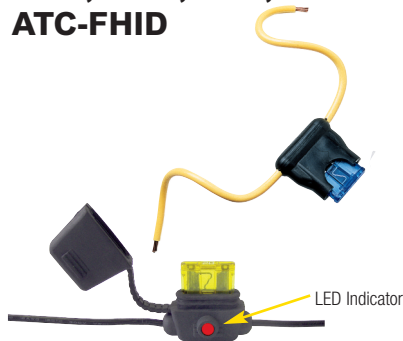
- Automotive

Catalog Numbers (Amps)

Non-Indicating	*Indicating	Color
ATC-1		Black
ATC-2		Gray
ATC-3	ATC-3ID	Violet
ATC-4		Pink
ATC-5	ATC-5ID	Tan
ATC-7-1/2	ATC-7-1/2ID	Brown
ATC-10	ATC-10ID	Red
ATC-15	ATC-15ID	Blue
ATC-20	ATC-20ID	Yellow
ATC-25	ATC-25ID	Clear
ATC-30	ATC-30ID	Green
ATC-35	ATC-35ID	Blue-Green
ATC-40	ATC-40ID	Orange

*Call Bussmann Customer Satisfaction for ordering information.

HHC, HHD, HHF, HHG & ATC-FHID



easyID™ LED Indicating Holder

Specifications

Description: In-line fuse holders for ATC™ Blade-Type fuses.

Dimensions: See Dimensions illustration.

Ratings:

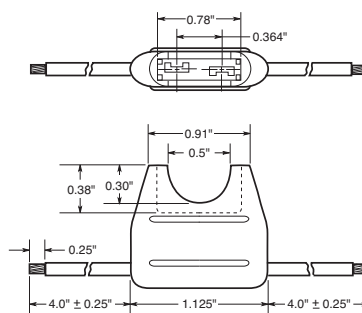
Volts: — 32Vdc
Amps: — 80% continuous of fuse rating. See Catalog Numbers table for individual fuses sizes.

Catalog Numbers

Catalog Numbers	Fuse Holder Description	Fuse Amps	Electrical Connection
HHC	Yellow	1-20	#16 black leadwire
HHD	Black	1-30	#12 yellow leadwire
HHF	Black w/ cover	1-20	#16 yellow leadwire
HHG	Black w/ cover	1-30	#12 yellow leadwire
ATC-FHID	Indicating Holder Black w/ cover	1-20	#16 black leadwire

A fuse must be properly and fully inserted into the holder to provide a solid connection. Poor or improper insertion of the fuse can result in failure of the fuse and holder, thus not protecting the device for which it was intended.

HHC & HHD Dimensions - in



ATM Fuse



ATM
(Actual Size)

Available
With
Indication

ATM-LP

Specifications

Description: Fast-acting blade fuse.

Construction: Colored plastic housing with zinc fuse element.

Ratings:

Volts — 32Vdc
Amps — 2-30A
IR — 1000A

Features and Benefits

- Color coded plastic housing for easy identification of fuse ratings

Typical Applications

- Automotive

Catalog Numbers (Amps)

Non-Indicating	*Indicating	Low-Profile	Color
ATM-2			Gray
ATM-3	ATM-3ID		Violet
ATM-4			Pink
ATM-5	ATM-5ID	ATM-5LP	Tan
ATM-7-1/2	ATM-7-1/2ID	ATM-7-1/2LP	Brown
ATM-10	ATM-10ID	ATM-10LP	Red
ATM-15	ATM-15ID	ATM-15LP	Blue
ATM-20	ATM-20ID	ATM-20LP	Yellow
ATM-25	ATM-25ID	ATM-25LP	Clear
ATM-30	ATM-30ID	ATM-30LP	Green

*Call Bussmann Customer Satisfaction for ordering information.